



*Delta*  
WATER SOFTENERS



*Delta*  
GARONA

DUPLEX

GARONA



- Non-electric operation
- Flexible installation possible
- Possible to install on the wall with bracket
- Very high low rates in service
- Low salt and water consumption

100% GREEN



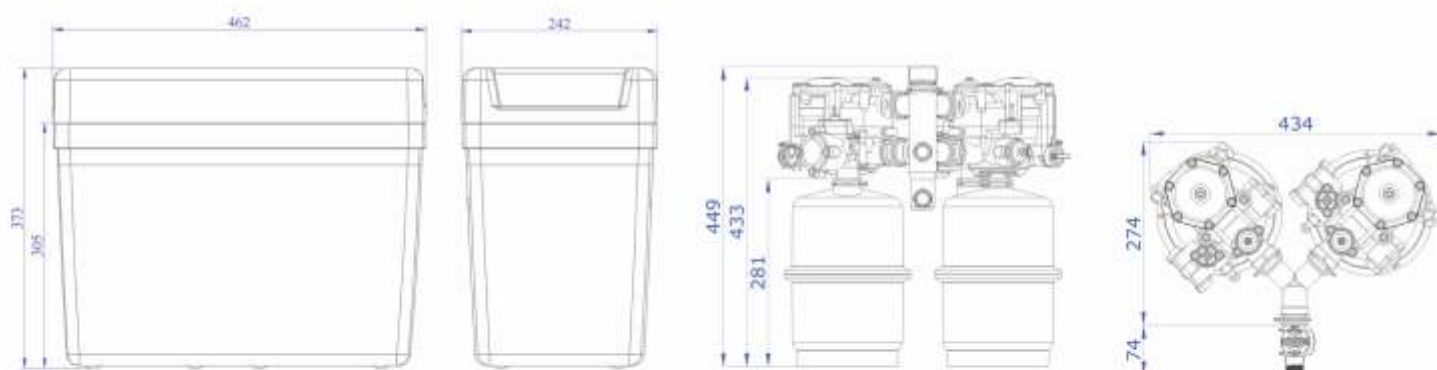


# Delta

WATER SOFTENERS

## GARONA

### DIMENSIONS



### TECHNICAL DATA

Connection	1/2", 3/4", 1"
Working Pressure	1 - 8 bar*
Flow Rate ( $\Delta p$ 1 bar)	max. 2600 l/h
Exchange Capacity	2 x 150 m <sup>3</sup> /ppm CaCO <sub>3</sub>
Water Usage / Regeneration	18 L
Salt Usage / Regeneration	0,3 kg
Regeneration Time	15 min
Max. Temperature	40°C
Filterscreen	80µm

\*for a correct regeneration, Delta Softeners require a minimum outlet pressure of 0.8 bar



100% GREEN

