

DELTA WATER TECHNOLOGY ®



Delta

WATER SOFTENERS



Delta

IKARIA DUPLEX FOR HOT WATER



UP TO
65°C

- Non-electric operation
- Low salt and water consumption
- Duplex parallel
- Soft water 24h/24h
- For out-of-home applications in the world of gastronomy:
 - Dishwashers
 - Bakery ovens
 - Steamers
 - Hot water dispensers
 - Vending machines

100% GREEN



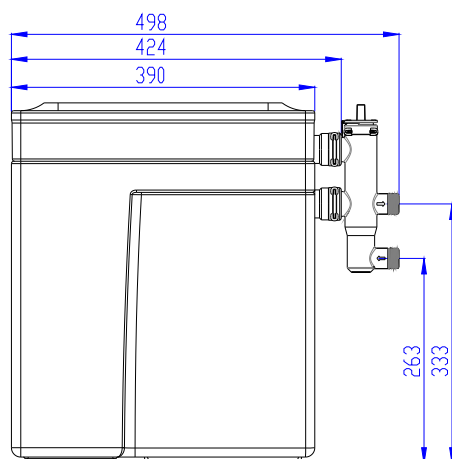
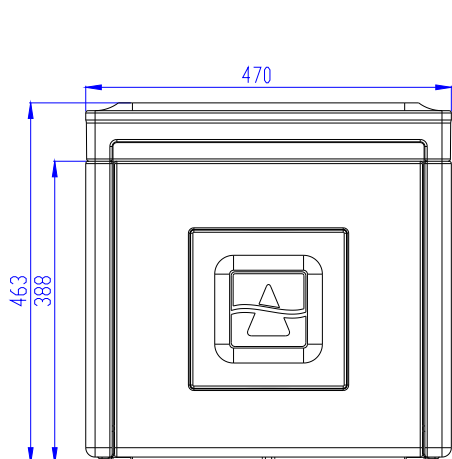


Delta

WATER SOFTENERS

IKARIA DUPLEX FOR HOT WATER

DIMENSIONS



TECHNICAL DATA

Connection	3/4"
Working Pressure	1 - 4 bar* (delivered with pressure regulator)
Flow Rate	< 1500 l/h
Exchange Capacity	2x 150 m ³ /ppm CaCO ₃
Water Usage / Regeneration	18 L
Salt Usage / Regeneration	0.3 kg
Regeneration Time	15 min.
Max. Temperature	< 65°C

* for a correct regeneration, Delta Softeners require a minimum outlet pressure of 0.8 bar



Delta Water Engineering NV
 Waesdonckstraat 1, 2640 Mortsel (Antwerp), BELGIUM
 T +32 3 219 50 70
 E info@deltawatersystems.com U www.deltawatersystems.com

