

DELTA WATER TECHNOLOGY®



Delta  
WATER SOFTENERS



Delta

IKARIA SIMPLEX  
FOR HOT WATER



UP TO  
65°C

- Non-electric operation
- Low salt and water consumption
- Different orientations possible
- For out-of-home applications in the world of gastronomy:
  - Dishwashers
  - Bakery ovens
  - Steamers
  - Hot water dispensers
  - Vending machines

100% GREEN

PWG  
POLLET WATER GROUP



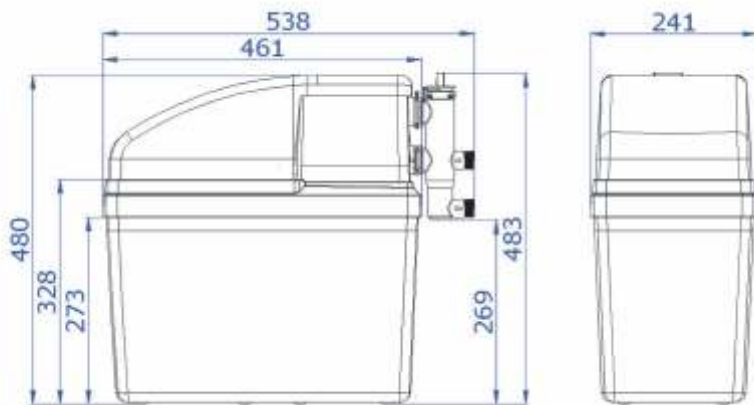


# Delta

WATER SOFTENERS

## IKARIA SIMPLEX FOR HOT WATER

### DIMENSIONS



### TECHNICAL DATA

Connection	3/4"
Working Pressure	1 - 4 bar* (delivered with pressure regulator)
Flow Rate	< 750 l/h
Exchange Capacity	150 m <sup>3</sup> /ppm CaCO <sub>3</sub>
Water Usage / Regeneration	18 L
Salt Usage / Regeneration	0.3 kg
Regeneration Time	15 min.
Max. Temperature	< 65°C

\* for a correct regeneration, Delta Softeners require a minimum outlet pressure of 0.8 bar



100% GREEN

Delta Water Engineering NV  
 Waesdonckstraat 1, 2640 Mortsel (Antwerp), BELGIUM  
 T +32 3 219 50 70  
 E info@deltawatersystems.com U www.deltawatersystems.com

