

DELTA WATER TECHNOLOGY ®



Delta
WATER SOFTENERS



Delta
MORAVA



- Non-electric operation
- Soft water 24h/24h
- Duplex Parallel
- High flow rates
- Small salt and water consumption
- Easy salt refilling system

100% GREEN

PWG
POLLET WATER GROUP



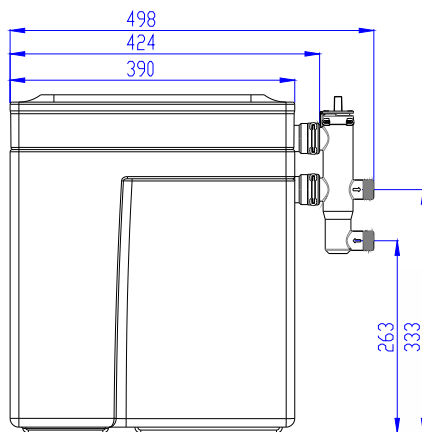
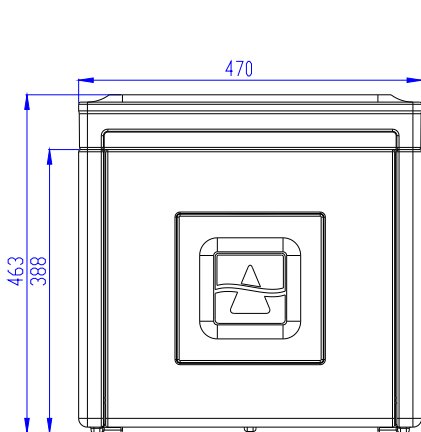


Delta

WATER SOFTENERS

MORAVA

DIMENSIONS



TECHNICAL DATA

Connection	3/4" or 1"
Working Pressure	1 - 8 bar*
Flow Rate (Δp 1 bar)	max. 2600 l/h
Exchange Capacity	2 x 150 m ³ /ppm CaCO ₃
Water Usage / Regeneration	18 L
Salt Usage / Regeneration	0.3 kg
Regeneration Time	15 min
Max. Temperature	40°C
Filterscreen	80µm

* for a correct regeneration, Delta Softeners require a minimum outlet pressure of 0.8 bar.

100% GREEN

Delta Water Engineering NV
 Waesdonckstraat 1, 2640 Mortsels (Antwerp), BELGIUM
 T +32 3 219 50 70
 E info@deltawatersystems.com U www.deltawatersystems.com

