

DELTA WATER TECHNOLOGY ®



Delta

WATER SOFTENERS



Delta

RUSELA



- *Non-electric operation*
- *Reduced salt and water consumption*
- *Very small dimensions*
- *Easy to install with stainless steel wall bracket*
- *Free location of brine tank*

100% GREEN



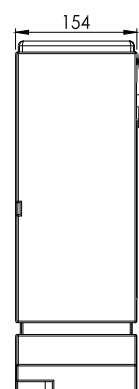
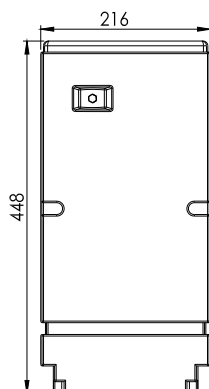
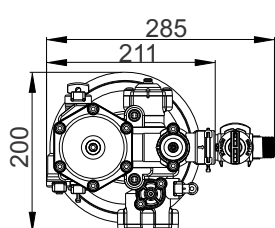
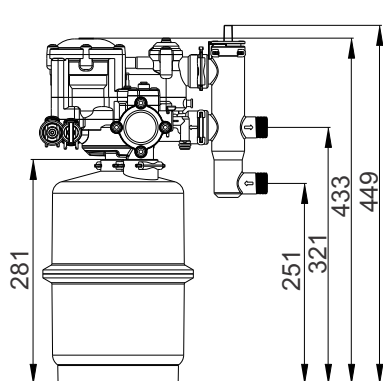


Delta

WATER SOFTENERS

RUSELA

DIMENSIONS



Possible to install on the wall with Delta bracket



TECHNICAL DATA

Connection	1/2", 3/4", 1"
Working Pressure	1 - 8 bar*
Flow Rate (Δp 1 bar)	max. 1500 l/h
Exchange Capacity	150m ³ / ppm CaCO ₃
Water Usage / Regeneration	18 L
Salt Usage / Regeneration	0.3 kg
Regeneration Time	15 min.
Max. Temperature	50°C
Volume of resin	3 L

* for a correct regeneration, Delta Softeners require a minimum outlet pressure of 0.8 bar.

100% GREEN

