



*Delta*  
WATER SOFTENERS



*Delta*

DUPLEX

TIBERA



- Soft water 24h/24h
- Non-electric operation
- Duplex parallel
- Reduced salt and water consumption
- High low rates

100% GREEN



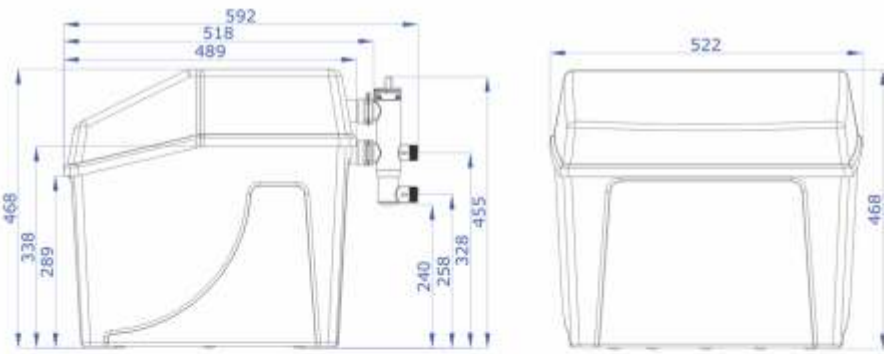


# Delta

WATER SOFTENERS

## TIBERA

### DIMENSIONS



### TECHNICAL DATA

Connection	1/2", 3/4", 1"
Working Pressure	1 - 8 bar*
Flow Rate ( $\Delta p$ 1 bar)	max. 2600 l/h
Exchange Capacity	2 x 150 m <sup>3</sup> /ppm CaCO <sub>3</sub>
Water Usage / Regeneration	18 L
Salt Usage / Regeneration	0,3 kg
Regeneration Time	15 min
Max. Temperature	40°C
Filterscreen	80µm

\*for a correct regeneration, Delta Softeners require a minimum outlet pressure of 0.8 bar

100% GREEN

Delta Water Engineering NV

Waesdonckstraat 1, 2640 Mortselsel (Antwerp), BELGIUM

T +32 3 219 50 70

E [info@deltawatersystems.com](mailto:info@deltawatersystems.com) U [www.deltawatersystems.com](http://www.deltawatersystems.com)

