



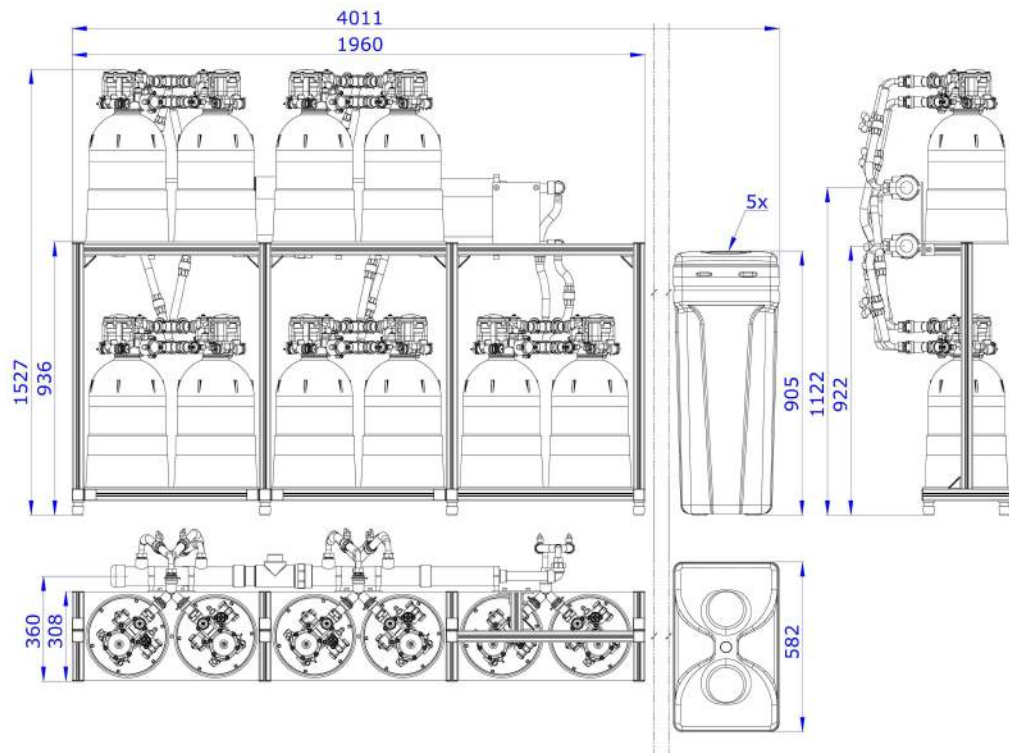
Delta

WATER SOFTENERS



Ontario 10

100% GREEN



Technical Data

Resine Volume (liter)	120 (10 x 12)
Connection (inch)	2"1/2
Working pressure(bar)	1-8* **
Peak flow rate (p. drop=1bar) (m ³ /h)	21.0
Nominal flow rate (p. drop=1bar) (m ³ /h)	16.8
Exchange capacity (m ³ /ppm CaCO ₃)	6000
Water usage / regeneration (liter)	500 (50 x 10)
Salt usage / regeneration (Kg)	12.0 (1.2 x 10)
Max. temperature (°C)	50
Max. water consumption (24h, 300ppm) (m ³)	40

* Minimum outlet pressure after the softener has to be 0.8bar or higher

** The total pressure on the complete system should never be higher than 6 bar