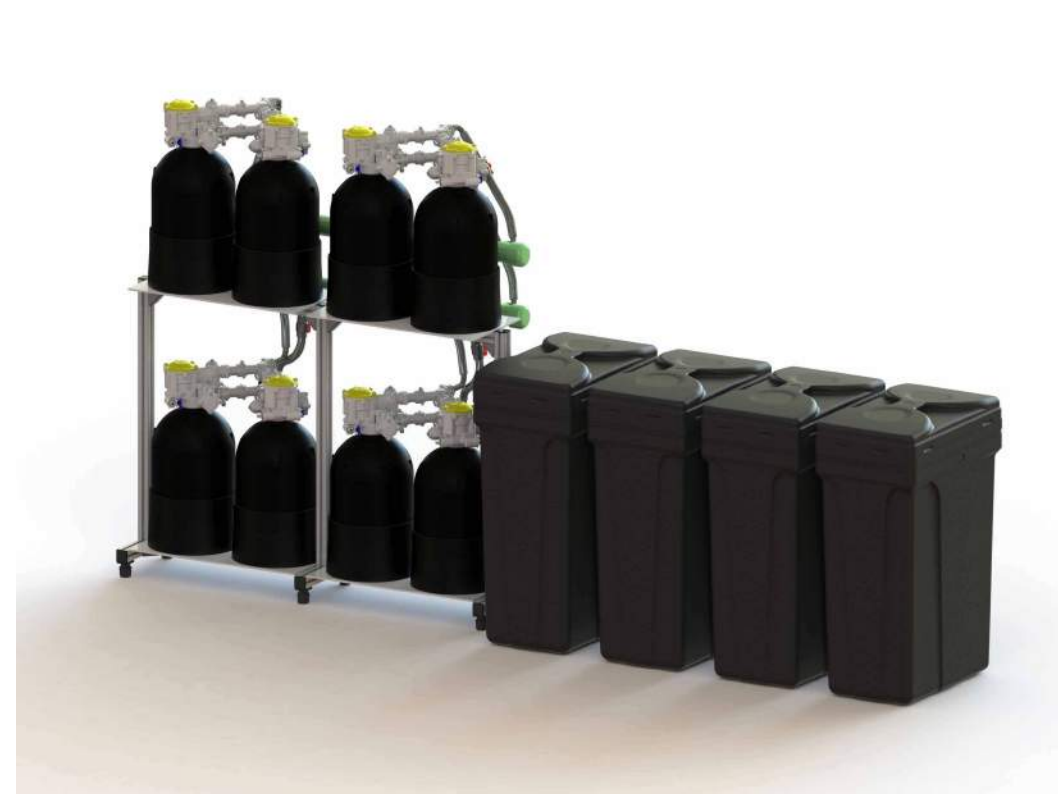




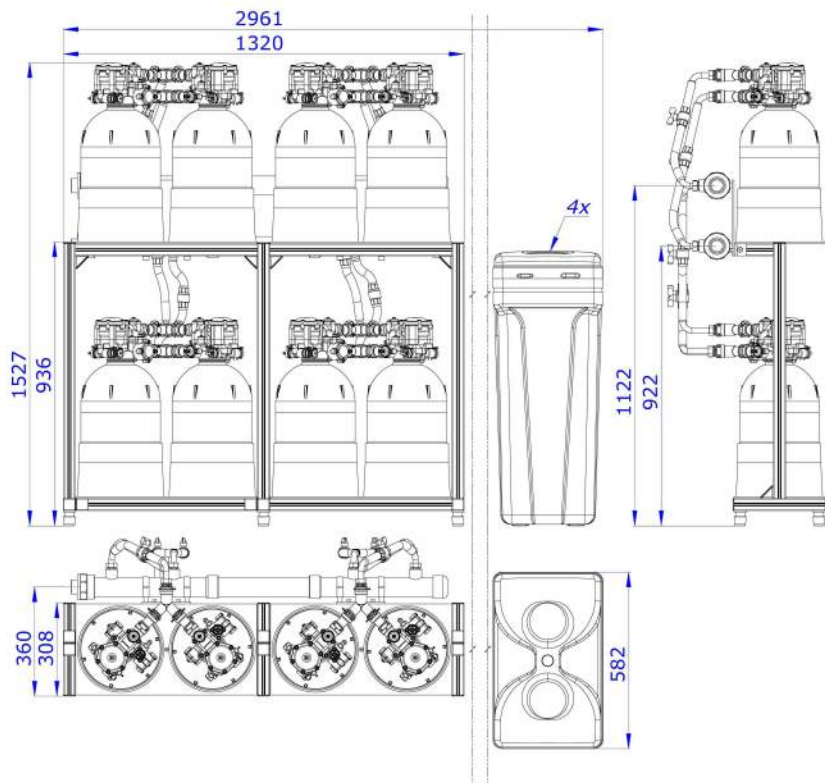
# Delta

WATER SOFTENERS



Ontario 8

100% GREEN



## Technical Data

Resine Volume (liter)	96 (8 x 12)
Connection (inch)	2"
Working pressure(bar)	1-8* **
Peak flow rate (p. drop=1bar) (m <sup>3</sup> /h)	16.8
Nominal flow rate (p. drop=1bar) (m <sup>3</sup> /h)	13.4
Exchange capacity (m <sup>3</sup> /ppm CaCO <sub>3</sub> )	4800
Water usage / regeneration (liter)	400 (50 x 8)
Salt usage / regeneration (Kg)	9.6 (1.2 x 8)
Max. temperature (°C)	50
Max. water consumption (24h, 300ppm) (m <sup>3</sup> )	32

\* Minimum outlet pressure after the softener has to be 0.8bar or higher

\*\* The total pressure on the complete system should never be higher than 6 bar