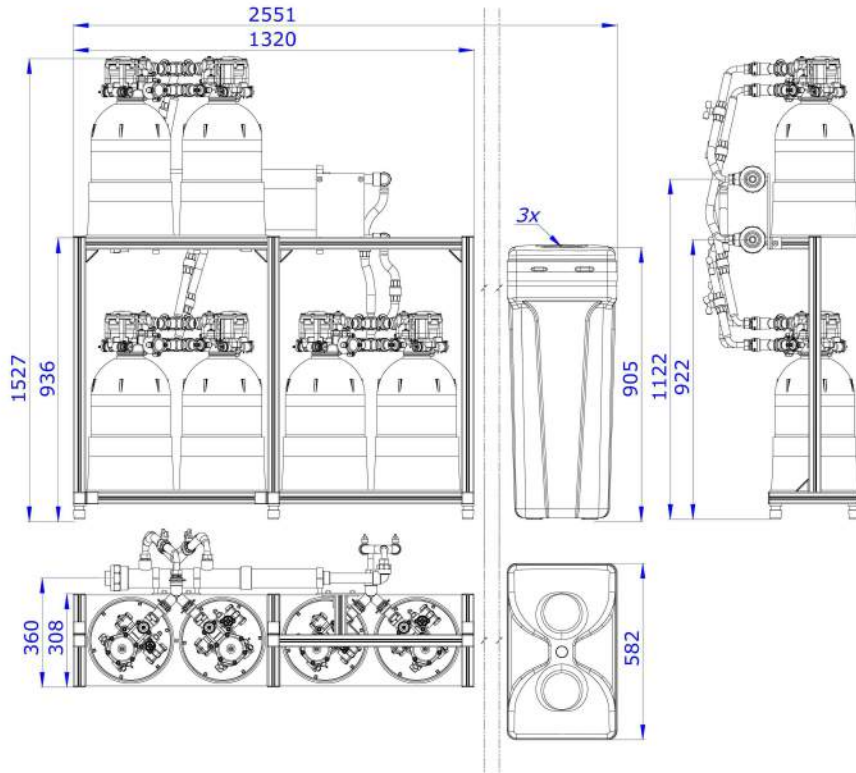




Ontario 6

100% GREEN



Technical Data

Resine Volume (liter)	72 (6 x 12)
Connection (inch)	2"
Working pressure(bar)	1-8* **
Peak flow rate (p. drop=1bar) (m ³ /h)	12.6
Nominal flow rate (p. drop=1bar) (m ³ /h)	10.1
Exchange capacity (m ³ /ppm CaCO ₃)	3600
Water usage / regeneration (liter)	300 (50 x 6)
Salt usage / regeneration (Kg)	7.2 (1.2 x 6)
Max. temperature (°C)	50
Max. water consumption (24h, 300ppm) (m ³)	24

* Minimum outlet pressure after the softener has to be 0.8bar or higher

** The total pressure on the complete system should never be higher than 6 bar